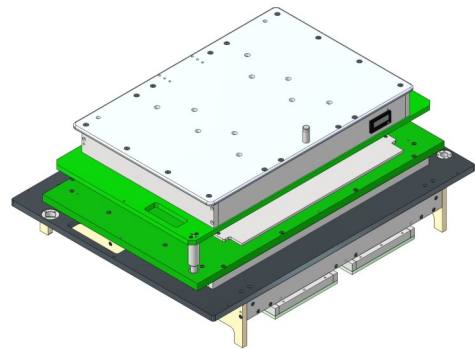


IL-TY-TSH-5X-HD | INLINE INTERCHANGEABLE KIT SERIES

INLINE

GENERAL

- Modular interchangeable kits for Teradyne inline test systems
- Integration into a test system for an increased test piece throughput
- Compatible with HD and NON-HD interfaces
- Easy installation possible by one person only
- Floating top connection
- Telescopic stay for safe opening
- Preparation cutout for the integration of an electronic counter
- Stainless steel reinforcement
- Three floating ID blocks (1x top and 2x bottom)
- ESD conform

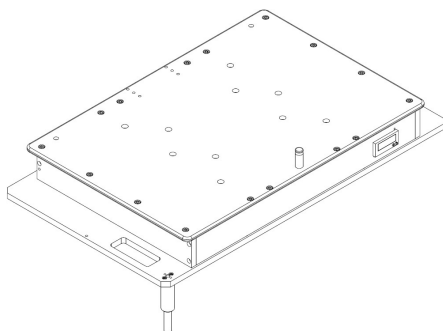


MODEL VARIATIONS

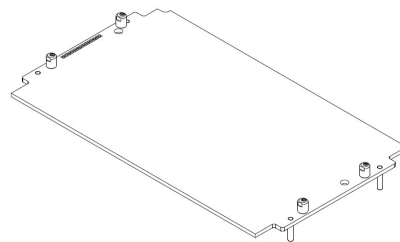
MODELL*	USEABLE AREA mm	OUTER DIMENSION mm	WEIGHT kg	INTERFACE	TESTSYSTEM
IL-TY-TSH-51-HD	450x340	500x700x450	19	TSH-5X	TSH-51
IL-TY-TSH-52-HD	450x340	500x700x450	20	TSH-5X	TSH-52

* Prices and delivery times on request

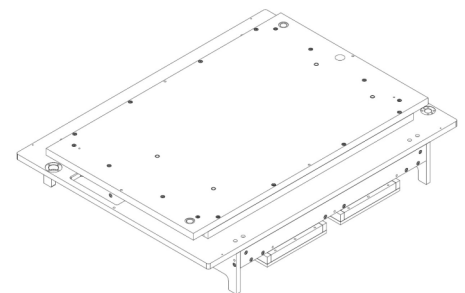
PRODUCT DESIGN



Top / pressure plate (AP)



Moving plate (PAP)



Bottom / probe plate (KTP)

INDIVIDUAL - CUSTOMER-ORIENTED

Fixture customization according to your requirements.

Let's talk about it. We will be happy to advise you.

Product information and more details can be found here.

Visit our website!
www.gps-prueftechnik.de



GPS PRÜFTECHNIK GMBH

Steiggerring 25 | D-59075 Hamm
✉ info@gps-prueftechnik.de

GPS PRÜFTECHNIK RHEIN/MAIN GMBH

Ferdinand-Porsche-Str. 17 | D-63500 Seligenstadt
✉ seligenstadt@gps-prueftechnik.de

GPS PRÜFTECHNIK Kft.

Zrí-nyi Miklós utca 105 | H-8900 Zalaegerszeg
✉ info@gps-pruftechnik.hu